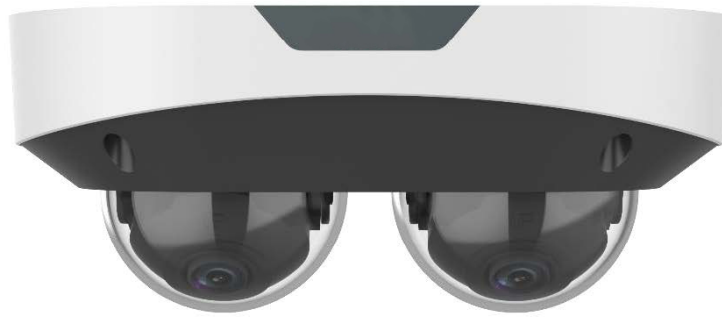
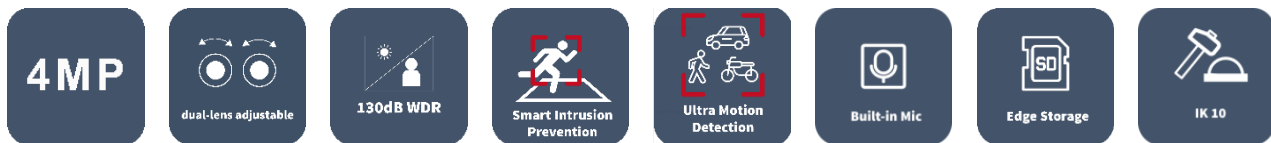


# 2\*4MP Dual-channel Non-Splicing Multiview Series IR Fixed Intelligent Network Camera

IV-DF2XCLL4MP-DC



## Key Features



- High quality image with 2\*4MP resolution, 1/3.0"CMOS sensor
- Single IP with dual channels
- 4MP (2688\*1520)@25/20fps; 4MP(2560\*1440)@25/20fps; 3MP(2304\*1296) @30/25fps;2MP(1920\*1080)@30/25fps
- Ultra 265, H.264,H.265, MJPEG
- Both channels support intelligent perimeter protection, include cross line, intrusion, enter area, leave area detection
- Based on target classification, smart intrusion prevention significantly reduce false alarm caused by leaves, birds and lights etc., accurately focus on human and motor vehicle and non-motor vehicle
- Intelligent People Flow Counting and Crowd Density Monitoring (Only Channel 1)
- 130dB true WDR technology enables clear image in strong light scene
- Built-in two Mics
- Supports 256 GB Micro SD card
- DC12V or PoE(IEEE 802.3af) power supply
- IP67 protection and IK10 vandal resistant
- 3-Axis

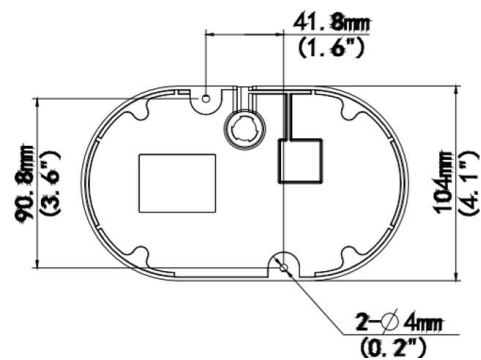
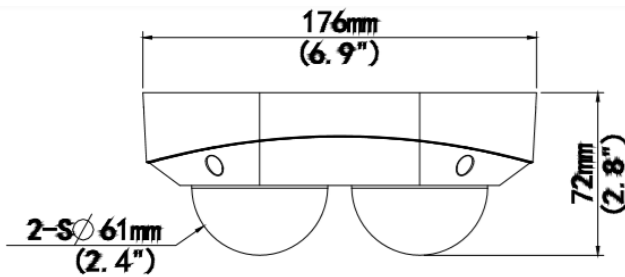
## Specifications

IV-DF2XCLL4MP-DC					
<b>Camera</b>					
Sensor	1/3.0", 4.0 megapixel, progressive scan, CMOS				
Minimum Illumination	Colour:0.002 (F1.6, AGC ON) 0 lux with IR				
Day/Night	IR-cut filter with auto switch (ICR)				
Shutter	Auto/Manual, 1 ~ 1/100000s				
Adjustment angle	Pan: 0° ~ 180°	Tilt: 0° ~ 66°		Rotate: 0° ~ 346°	
WDR	130dB				
S/N	>52dB				
<b>Lens</b>					
Lens type	2.8mm@F1.6				
Iris	Fixed				
Field of View (H)	97.7°				
Field of View (V)	52.7°				
Field of View (O)	102.5°				
<b>DORI</b>					
DORI Distance	Lens (mm)	Detect (m)	Observe (m)	Recognize (m)	Identify (m)
	2.8	63.0m(206.7ft)	25.2m(82.7ft)	12.6m(41.3ft)	6.3m(20.7ft)
<b>Illuminator</b>					
IR Range	Up to 30m (98ft) IR range				
Wavelength	850nm				
IR On/Off Control	Auto/Manual				
<b>Video</b>					
Video Compression	Ultra 265, H.265, H.264, MJPEG				
H.264 code profile	Baseline profile, Main profile, High profile				
Frame Rate	Main Stream:4MP(2688*1520) ,Max 25fps; 4MP(2560*1440), Max 25fps; 3MP(2304*1296), Max 30fps; 1080P (1920*1080), Max 30fps; 720P(1280*720) Max 30fps Sub Stream: 720P (1280*720), Max 30fps; D1 (720*576), Max 30fps; 640*360,Max 30fps; 2CIF(704*288), Max 30fps; CIF(352*288), Max 30fps; Third Stream: D1 (720*576), Max 30fps; 640*360,Max 30fps; 2CIF(704*288), Max 30fps; CIF(352*288), Max 30fps;				
Video Bit Rate	128 Kbps~16 Mbps				
U-code	Support				
OSD	Up to 8 OSDs				
Privacy Mask	Up to 4 areas				
ROI	Up to 8 areas				
Video Stream	Triple streams				
<b>Image</b>					
White Balance	Auto/Outdoor/Fine Tune/Sodium Lamp/Locked/Auto2				
Digital Noise Reduction	2D/3D DNR				
Smart IR	Support				
Flip	Normal/ Flip Vertical/ Flip Horizontal/180°/90°Clockwise/90°Anti-clockwise				

Dewarping	N/A
HLC	Support
BLC	Support
Defog	Digital Defog
<b>Intelligent</b>	
Smart intrusion prevention	Support false alarm filtering: Line crossing detection, Intrusion detection, Enter Area detection, Leave Area detection
Statistical Analysis	People counting, support people flow counting and crowd density monitoring(Only Channel 1)
<b>Events</b>	
Basic Detection	Motion detection, Ultra motion detection, Tampering alarm, Audio detection
General Function	Watermark, IP address filtering, Tampering alarm, Access policy, ARP protection, RTSP authentication, User authentication
<b>Audio</b>	
Audio Compression	G.711U, G.711A
Audio Bitrate	64 Kbps
Two-way audio	Support
Suppression	Support
Sampling Rate	8KHZ
<b>Storage</b>	
Edge Storage	Micro SD, up to 256GB
Network Storage	ANR, NAS(NFS)
<b>Network</b>	
Protocols	IPv4,IPv6, IGMP, ICMP, ARP, TCP, UDP, DHCP, PPPoE, RTP, RTSP, RTCP, RTMP, DNS, DDNS, NTP, FTP, UPnP, HTTP, HTTPS, SMTP, 802.1x, SNMP, QoS, SSL/TLS, SSH
Compatible Integration	ONVIF (Profile S, Profile T, Profile G), API,SDK
User/Host	Up to 32 users. 3 user levels: administrator, common user and operator
Security	Password protection, Strong password, HTTPS encryption, Export operation logs, Basic and digest authentication for RTSP, Digest authentication for HTTP, TLS 1.2, WSSE and digest authentication for ONVIF
Client	GuardStation GuardViewer Star4Live
Web Browser	Plug-in required live view: IE 10 and above, Chrome 45 and above, Firefox 52 and above, Edge 79 and above
	Plug-in free live view: Chrome 57.0 and above, Firefox 58.0 and above, Edge 16 and above
<b>Interface</b>	
Audio I/O	Input: impedance 35kΩ; amplitude 2V [p-p]
	Output: impedance 600Ω; amplitude 2V [p-p]
Alarm I/O	1/1
Serial Port	N/A
Built-in Mic	Built-in two Mics
Built-in Speaker	N/A
WIFI	N/A
Network	1 RJ45 10M/100M Base-TX Ethernet
Video Output	N/A
<b>Certifications</b>	
EMC	CE-EMC (EN 55032, EN 61000-3-3,EN IEC 61000-3-2,EN 55035) FCC (FCC 47 CFR part15 B)
Safety	CE-LVD (EN 62368-1) UL/CUL (UL 62368-1, CAN/CSA C22.2 No. 62368-1)

Environment	CE-RoHS (2011/65/EU;(EU)2015/863); WEEE (2012/19/EU);
Protection	IP67 (IEC 60529) IK10 (IEC 62262)
<b>General</b>	
Power	DC 12V±25%, PoE (IEEE 802.3af)
	Power consumption: Max 9.1w
Power Interface	Ø 5.5mm coaxial power plug
Dimensions	176×104×72mm (6.9" × 4.1" × 2.8")
Weight	0.62kg(1.37lb)
Material	Metal
Working Environment	-30°C ~ 60°C (-22°F ~ 140°F), Humidity: ≤95% RH (non-condensing)
Storage Environment	-30°C ~ 60°C (-22°F ~ 140°F), Humidity: ≤95% RH (non-condensing)
Surge Protection	4KV
Reset Button	Support

## Dimensions



## Accessories

IV-JB08

Junction Box



IV-A01-IN

Waterproof Joint



IV-CM24-IN

Pendant Mount



IV-SE24-IN

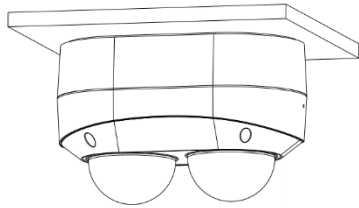
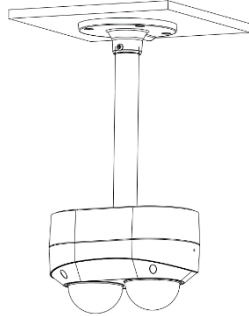
Pendant Mount



IV-SE24-A-IN

Pendant Mount



Junction box	Pendent mout
IV-JB08+ IV-A01-IN	IV-JB08+ IV-A01-IN + IV-CM24-IN +IV-SE24-IN(IV-SE24-A-IN)
 A line drawing of a junction box camera unit. It features a cylindrical main body with two lens lenses at the bottom. A flat, rectangular mounting plate is attached to the top of the unit.	 A line drawing of a pendant camera unit. It consists of a cylindrical camera body with two lenses at the bottom, suspended from a square ceiling plate by a long, thin vertical rod.