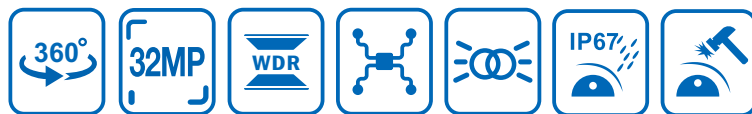


IV-MV28124X8MP-RS



- 4 adjustable lenses in one camera cover up to a 360° field of view
- 4-channel stream output, and each channel can output max. 8MP (3840 × 2160) @25/30fps
- 4-channel starlight and 120dB WDR
- All-In-One design, One IP, Multi-channel, multiple use
- The intelligent functions of 4 channels can be enabled at the same time
- Built-in dual source illuminator (IR & warm light)
- IP67/IK10 water resistant and vandal proof, preventing water ingress for outdoor use

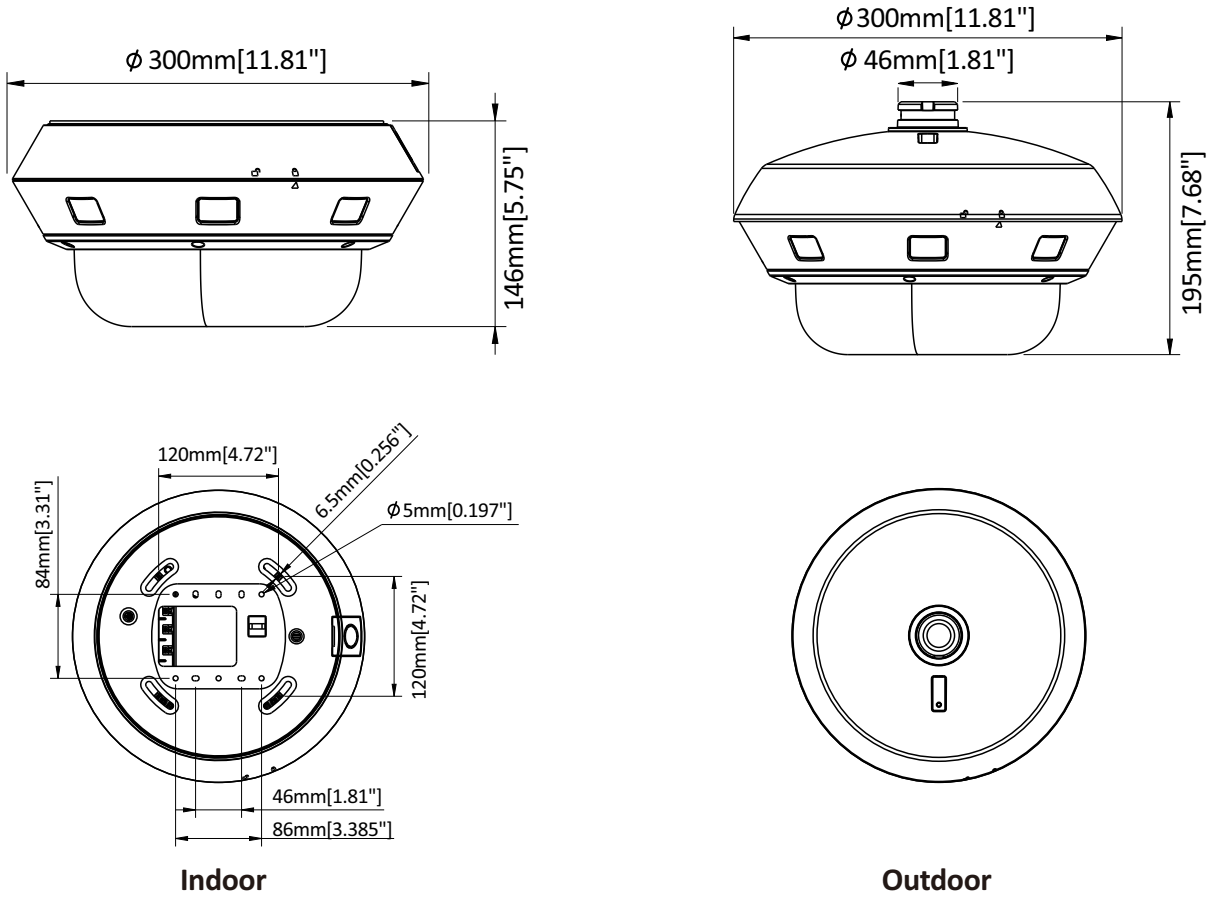
■ Specification

Camera	
Image Sensor	1/1.8" Progressive Scan CMOS (EA)
Max. Resolution	3840x2160 (EA)
Min. Illumination	Color: 0.006 Lux @ (F1.2, AGC ON), B/W: 0.002 Lux @ (F1.2, AGC ON); 0 Lux with IR on/White light on
Shutter Time	1/5s - 1/20,000 s
Day & Night	IR Cut Filter
Angle Adjustment	Four flexible lens in one track, slide range: -60° to 60°, tilt: 0° to 90°, rotate: 0° to 355°
Lens	2.8 ~ 12 mm, Varifocal motorized lens
Focal Length & FOV	Horizontal field of view: 48° to 112°, Vertical field of view: 27° to 58°, Diagonal field of view: 55° to 138°
Lens Mount	ø16.7
Aperture	Max. F1.30
Illuminator	
Supplement Light Type	IR and Warm light
Supplement Light Range	Up to 30 m(IR)/ 15m(Warm light)
IR Wavelength	850 nm
Smart Supplement Light	Yes
Video	
Main Stream	50/60Hz: 25fps 8MP(3840x2160),5MP(2592x1944,3072x1728), 4MP(2592x1520),3MP(2304x1296),1080P(1920x1080), 960P(1280*960),720P(1280x720)
Sub-Stream	50/60 Hz: 25fps 720P(1280x720),VGA(640x480),QVGA(320x240)
Video Compression	Main stream: H.265+/H.265/H.264+/H.264, Sub stream: H.265+/H.265/H.264+/H.264/MJPEG,

Video Bit Rate	8Kbps to 16 Mbps
H.264 Type	Baseline Profile/Main Profile/High Profile
H.265 Type	Main Profile
Region Of Interest (ROI)	Yes
Audio	
Audio Compression	G.711
Audio Bit Rate	Auto
Audio Sampling Rate	8 kHz
Environment Noise Filtering	Yes
Network	
Protocols	TCP/IP,HTTP,DHCP,DNS,DDNS,RTP/RTSP,SMTP,NTP,UPnP,SNMP,HTTPS,FTP,PPPoE
Simultaneous Live View	Up to 92 streams
API	ONVIF(Profile S/G/T)
User/Host	Up to 32 users, 2 levels: Administrator and User
Web Browser	IE10/11 Safari V12.1 above Firefox V.52 above Google chrome V.57 above Edge V.79 above
Image	
Image Settings	Rotate mode, saturation, brightness, contrast, sharpness, and white balance are adjustable by client software or web browser
Day/Night Switch	Day/Night/Image/Schedule
Wide Dynamic Range (WDR)	120 dB
Image Enhancement	BLC, 3D DNR, HLC
Interface	
Image Enhancement	1 RJ45 10M/100M/1000M Ethernet port

On-Board Storage	Built-in Micro SD/SDHC/SDXC slot, up to 256GB
Audio	1 input (RCA), 1 output (RCA)
Alarm	2 inputs, 2 outputs
Reset	Yes
Event	
Basic Event	Motion detection
Smart Event	Face Recogniton, Pedestrian&Vehicle Detection, Line Crossing, Object Detection, CrossCounting, Heat Map, Crowd Density, Queue Length, License Plate Recognition, Intrusion, Region Entrance, Region Exiting
General	
Power	Max. 43W
Input Voltage / Current	ACV24/DCV12/Hi-PoE
Material	Alloy
Dimension	Ø 300 mm × 195 mm (11.8" x 7.7")
Package Dimension	500 mm × 395 mm × 385 mm (19.7" x 15.6" x 15.2")
Weight	Camera: Approx. 4.6kg(10.1lb)
Operating Conditions	-30~+55°C/less than ≤ 95% RH
Protection	IP67, IK10

■ Dimension

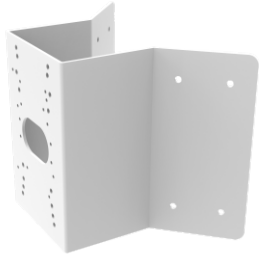


■ Accessory (included)



IV-BZJ-D

▪ **Accessory (Optional)**



IV-CZJ-B



IV-DZJ-F



IV-PZJ-C