

IV-OEA-MLOCK

Single Door Magnetic Lock (280KG)

Overview

IV-OEA-MLOCK is a magnetic lock with 280kg holding force designed for single doors, which is made of high-strength aluminum alloy and suitable for wooden doors, glass doors, iron doors, security doors, etc. It features fine workmanship, high solidity, strong suction, low power consumption, high reliability, easy installation, and eco-friendliness.



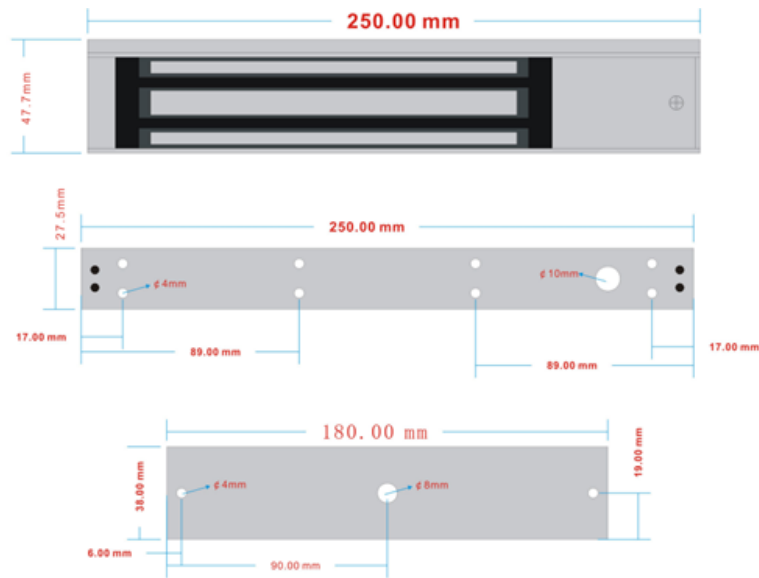
Features

Specifications

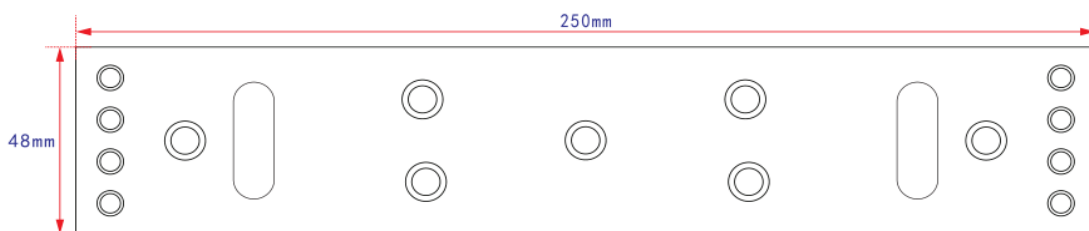
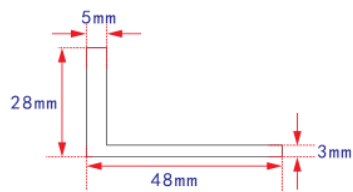
Ordering Information

Model	Remarks
IV-OEA-MLOCK	Single Door Magnetic Lock (280KG)

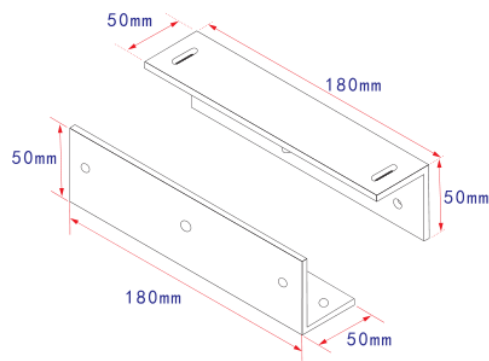
Dimensions



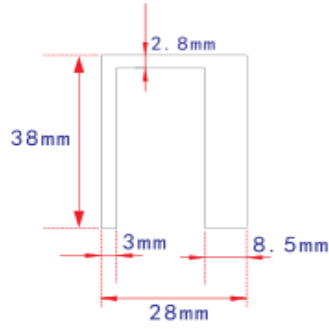
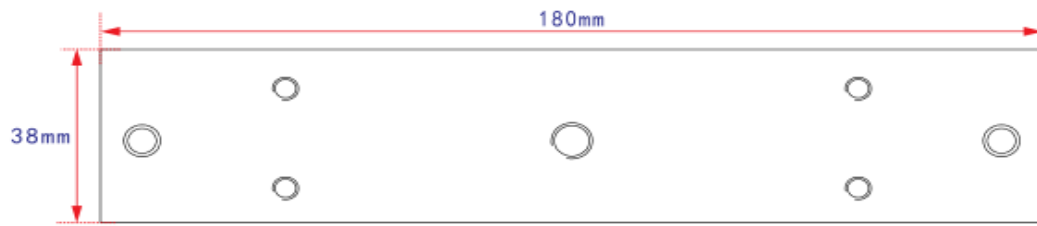
Single Door Magnetic Lock



Single Door Magnetic Lock L-Bracket (280KG)



Magnetic Lock Z-Bracket (280KG)



Magnetic Lock U-Bracket (280KG)