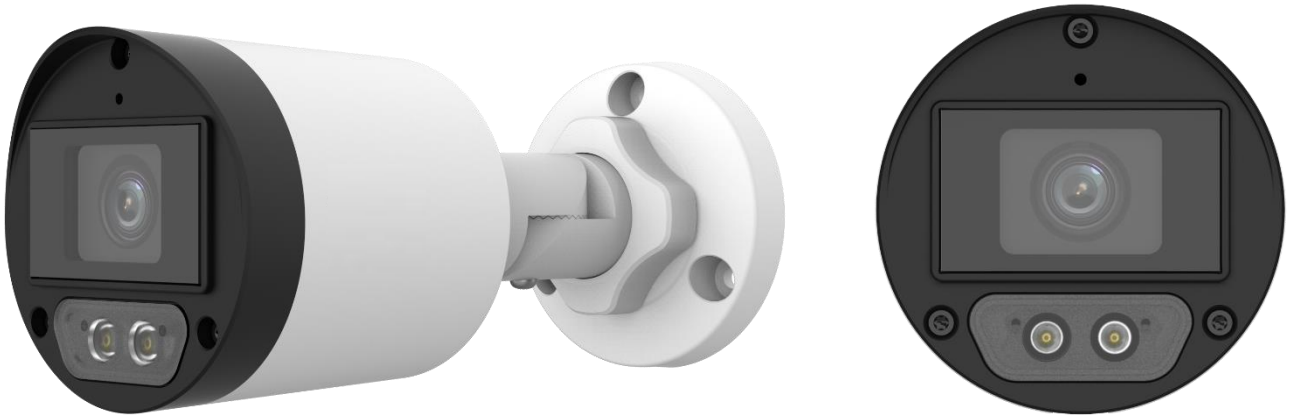


5MP Color Hunter HD Fixed Mini Bullet Analog Camera

IV-BUF28CH5MP-FH



Introduction

IV-BUF28CH5MP-FH is a 5MP Color Hunter HD fixed mini bullet analog camera with a high-performance 1/2.7-inch CMOS sensor. It supports TVI/AHD/CVI/CVBS, which effectively enhances product adaptability and diversity of networking solutions. With SYV-75-3 or other coaxial cable types, the camera can achieve low-cost, long-distance, anti-interference megapixel HD video transmission without time delay. It supports audio input, synchronous transmission of audio and video, and 24/7 full-color imaging.

Features

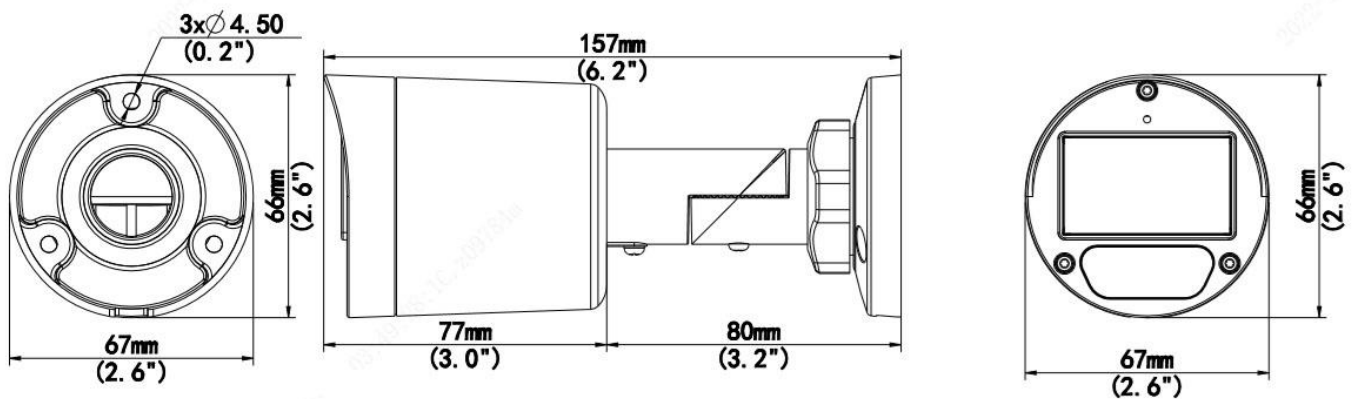
- 5MP high quality imaging
- TVI/AHD/CVI/CVBS
- Supports white light illumination, 24/7 full-color imaging
- Supports 180° horizontal flip, 180° vertical flip
- OSD configuration menu, easy to operate
- IP67 waterproof and dustproof design, high reliability
- OSD configuration menu in 11 languages
- Built-in microphone for high quality audio transmission via coaxial cables
- Metal front face and housing

Specifications

Model	IV-BUF28CH5MP-FH
Sensor	
Pixel	5MP
Size	1/2.7"
Minimum illumination	0.02 lux (F1.4, AGC ON) 0.00 lux (white light on)
Lens	
Lens	2.8mm
Lens mount	M12
Angle of view	H: 100.9° V: 56.5° D: 121.8°
Illuminator	
Illuminator	Two white-light illuminators
Illumination distance	40m
Lifetime	≥60,000 hours
Video	
Resolution	5MP@25fps: 2880(H)×1620(V); 5MP@20fps: 2592(H)×1944(V); 5MP@12.5fps: 2592(H)×1944(V) 4MP: 2560(H)×1440(V) 1080P: 1920(H)×1080(V)
Frame rate	TVI: 5MP@20fps (default), 5MP@12.5fps, 4MP@30fps, 4MP@25fps, 1080P@30fps, 1080P@25fps AHD: 5MP@20fps, 4MP@30fps, 4MP@25fps, 1080P@30fps, 1080P@25fps CVI: 5MP@25fps, 4MP@30fps, 4MP@25fps, 1080P@30fps, 1080P@25fps CVBS: PAL/NTSC
Shutter time	PAL: 1/25s-1/50000s NTSC: 1/30s-1/50000s
Image	
Exposure mode	Four modes: Global (default), BLC, HLC, DWDR
Day/Night	24/7 full-color imaging
Digital noise reduction	2D
White balance	Two modes: Auto (default), Manual
WDR	DWDR
Flip	Supports 180° horizontal flip, 180° vertical flip
Audio	
Microphone	Built-in Mic
Pickup distance	7m
Interface	
Power	5.5mm power interface
Video output	BNC, supports TVI/AHD/CVI/CVBS
Operating environment	
Temperature	-30°C to 60°C (-22°F to 140°F)
Humidity	≤95% (RH, non-condensing)
Surge protection	4kV
Ingress protection	IP67
General	

Power	DC12V (±25%), with reverse polarity protection and surge protection. Max 2.4W
Mount	3D bracket supplied, surface mount (default), optional junction box and pole-mount bracket
Dimensions	157.4mm*66.5mm*66.5mm (L*W*H)
Material	Metal
Weight	145g (0.32lb)
Certification	CB, CE, FCC, UL

Dimensions



IV-BUF28CH5MP-FH

Ordering Information

Accessory Model	Image	Remarks
IV-JB05-A-IN		Bullet camera junction box (supports rear cabling, square)-97.5mm*93mm*43.1mm, sold separately
IV-UP06-B-IN		Bullet camera pole-mount bracket (white)-bullet camera-sheet metal, sold separately
IV-JB07-D-IN		Bullet camera junction box (supports rear cabling) --125mm*125mm*57mm, sold separately