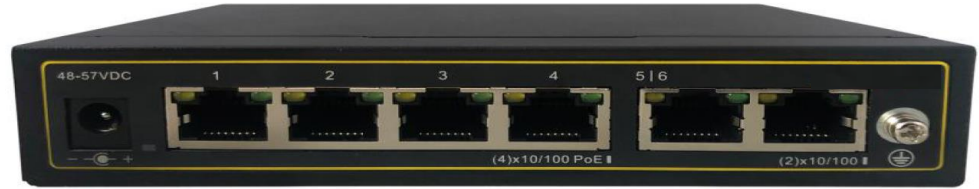




6 Port Extend VLAN Auto-check PoE Switch

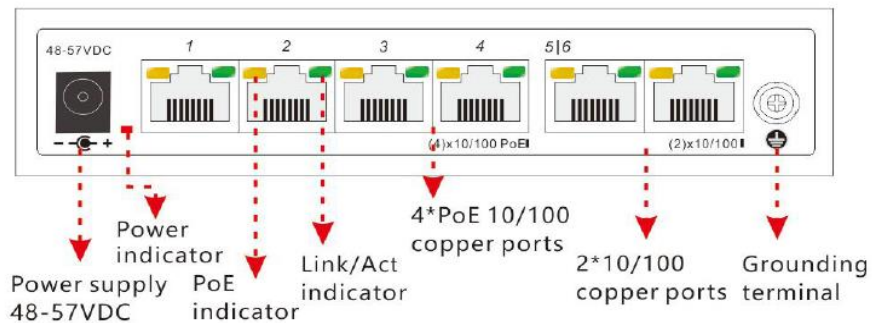
IV-6EVAPOE



Features:

- . With 4*10/100M PoE downlink ports and 2*100M uplink ports
- . The maximum PoE power of single port is 30W, and the maximum PoE power of the whole equipment is 65W
- . Provides three modes of Extend, Default and VLAN to adapt to various complex environments
- . It supports the PoE auto-check function, which is specially designed to solve the problems of PD equipment frozen issue. It can automatically detect the frozen PD equipment and restart the ports' output of PSE, and restart the PD device. It greatly reduces the maintenance difficulty of engineering.
- . It has a high anti-interference ability, the product supports 6KV surge protection, 6KV/8KV ESD protection, can be used in a variety of environments

● Front panel



- ▲ **Attention 1:** This product must be well grounded against lightning, please use better than 20# cable to connect the grounding terminal and ground.

● Back panel



- ▲ **Attention 2:**
Extend, Default, VLAN mode: It can be selected by dip switch.
Extend: 1~4 ports Max. 250m transmission; 1~4 ports are isolated, only can communicate with the uplink ports; restrain the network storm; close flow control.
Default: common switch.
VLAN: 1~4 ports are isolated, only can communicate with the uplinkports; restrain the network storm; close flow control.
- ▲ **Attention 3:**
POE Auto-Check: PoE Auto-Check fuction is open/ closed by dip switch.
The switch always auto dectect 1~4 ports whether frozen, if some ports are frozen, the switch will restart them, but other ports are unaffected.

SPECIFICATION	IV-6EVAPOE
Power Adapter Voltage	DC 48~57V
Consumption	Self consumption<5W, PoE output max. 60W
Downlink Ports	Ports 1~4 10/100Base-TX 30W PoE RJ45 (IEEE 802.3af/at)
Uplink Ports	Ports 5~6 10/100/1000Base-T RJ45
PoE Ports	Ports 1~4 support IEEE802.3af/at, end-span, 30W per port Max.
PoE Auto-check	If detect the frozen PoE device, restart it
Working Mode	<p>Extend mode: ports 1 ~ 4 Extend up to 250m; 1 ~ 4 ports are isolated from each other and can only communicate with the uplink ports; restrain the network storm; turn off the flow control.</p> <p>Default mode: normal switch mode.</p> <p>VLAN mode: ports 1 ~ 4 are isolated from each other and can only communicate with the upper port; restrain the network storm; turn off the flow control.</p>
1~8 PoE Ports	Support IEEE 802.3af/at, end-span, single port≤30W
Cable and Distance	Use cat5e/6, 328ft (100m) max. Extend mode 820ft (250m) max.
Standard	IEEE802.3, IEEE802.3u, IEEE802.3z
Switch Fabric	1.2Gbps
Throughput	0.89Mpps
Buffer	448K
MAC Address Table	1K
Indicator	<p>Power: 1 x red ;</p> <p>Uplink5, 6: On RJ45 yellow and green LEDs indicate Link/Act</p> <p>Downlink 1~4: On RJ45 yellow LEDs indicate Link/Act, green LEDs indicate PoE</p>
Protection	<p>Surge: 6KV, standard: IEC61000-4-5</p> <p>ESD: 6KV: contact 8KV: air, standard:IEC61000-4-2</p>
Working/Storage Temperature	14°F~122°F (-10°C~50°C) / -40°F~185°F (-40°C~85°C)
Humidity	0~95% (No condensation)
Dimension(LxWxH)	5.35"x3.15"x1.18" (136mmx80mmx30mm)
Material	Metal
Colour	Black
Net Weight	0.66lb (300g)

