

5MP HD IR Bullet Network Camera

IV-BV2812CLL5MP-LT



Key Features



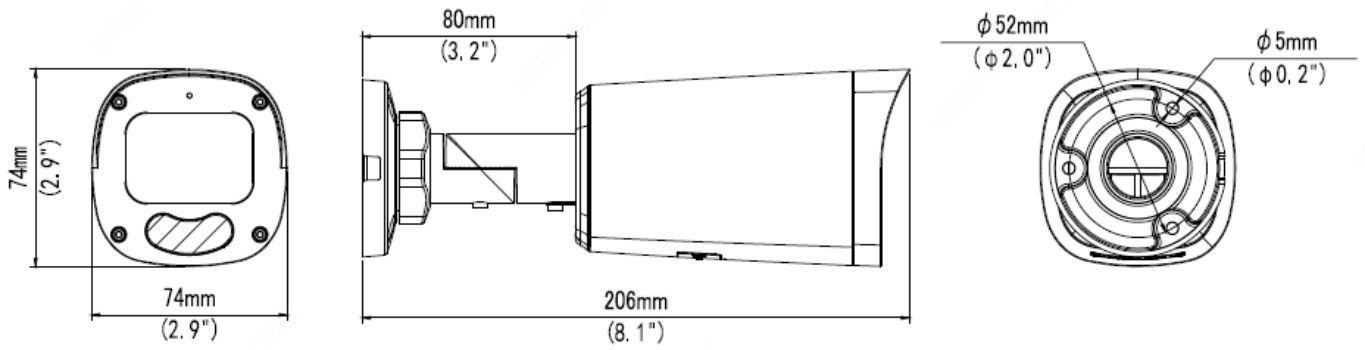
- High quality image with 5MP, 1/2.7"CMOS sensor
- 5MP (2880*1620)@ 25/20fps; 4MP (2560*1440)@ 25/20fps; 3MP (2304*1296)@ 30/25fps;2MP (1920*1080)@30/25fps
- Ultra 265, H.265, H.264, MJPEG
- 120dB true WDR technology enables clear image in strong light scene
- Support 9:16 Corridor Mode
- Built-in Mic
- Smart IR, up to 50m (164ft) IR distance
- Supports 256 G Micro SD card
- IP67 protection
- Support PoE power supply
- 3-Axis

Specifications

| | | | | | |
|-------------------------|---|------------|----------------|---------------|-------------------|
| | IV-BV2812CLL5MP-LT | | | | |
| Camera | | | | | |
| Sensor | 1/2.7", 5.0 megapixel, progressive scan, CMOS | | | | |
| Lens | 2.8 ~ 12mm, AF automatic focusing and motorized zoom lens | | | | |
| DORI Distance | Lens (mm) | Detect (m) | Observe (m) | Recognize (m) | Identify (m) |
| | 2.8 | 63.0 | 25.2 | 12.6 | 6.3 |
| | 12 | 270.0 | 108.0 | 54.0 | 27.0 |
| Angle of View (H) | 108.79° ~ 33.23° | | | | |
| Angle of View (V) | 56.90° ~ 18.33° | | | | |
| Angle of View (O) | 112.56° ~ 37.46° | | | | |
| Adjustment angle | Pan: 0° ~ 360° | | Tilt: 0° ~ 90° | | Rotate: 0° ~ 360° |
| Shutter | Auto/Manual, 1 ~ 1/100000s | | | | |
| Minimum Illumination | Colour: 0.003Lux (F1.6, AGC ON) 0Lux with IR on | | | | |
| Day/Night | IR-cut filter with auto switch (ICR) | | | | |
| Digital noise reduction | 2D/3D DNR | | | | |
| S/N | >56dB | | | | |
| IR Range | Up to 50m (164ft) IR range | | | | |
| Wavelength | 850nm | | | | |
| IR On/Off Control | Auto/Manual | | | | |
| Defog | Digital Defog | | | | |
| WDR | 120dB | | | | |
| Video | | | | | |
| Video Compression | Ultra 265, H.265, H.264, MJPEG | | | | |
| H.264 code profile | Baseline profile, Main profile, High profile | | | | |
| Frame Rate | Main Stream: 5MP (2880*1620), Max 25fps; 4MP (2560*1440), Max 25fps; 3MP (2304*1296), Max 30fps; 1080P (1920*1080), Max 30fps; Sub Stream: 720P (1280*720), Max 30fps; D1 (720*576), Max 30fps; 640*360, Max 30fps; 2CIF(704*288), Max 30fps; CIF(352*288), Max 30fps; | | | | |
| Video Bit Rate | 128 Kbps~16 Mbps | | | | |
| 9:16 Corridor Mode | Supported | | | | |
| OSD | Up to 4 OSDs | | | | |
| Privacy Mask | Up to 4 areas | | | | |
| ROI | Up to 8 areas | | | | |
| Motion Detection | Up to 4 areas | | | | |
| Image | | | | | |
| White Balance | Auto/Outdoor/Fine Tune/Sodium Lamp/Locked/Auto2 | | | | |
| Digital noise reduction | 2D/3D DNR | | | | |
| Smart IR | Supported | | | | |
| Flip | Normal/Vertical/Horizontal/180°/90°Clockwise/90°Anti-clockwise | | | | |
| Dewarping | N/A | | | | |
| HLC | Supported | | | | |

| | |
|------------------------|--|
| BLC | Supported |
| Audio | |
| Audio Compression | G.711 |
| Suppression | Supported |
| Sampling Rate | 8KHZ |
| Storage | |
| Edge Storage | Micro SD, up to 256GB |
| Network Storage | ANR,NAS(NFS) |
| Network | |
| Protocols | IPv4, IGMP, ICMP, ARP, TCP, UDP, DHCP, RTP, RTSP, RTCP, DNS, DDNS, NTP, FTP, UPnP, HTTP, HTTPS, SMTP, SSL, QoS, 802.1x, SNMP |
| Compatible Integration | ONVIF (Profile S, Profile G, Profile T), API |
| Client | Guard Station Guard Viewer Star4Live |
| Web Browser | Plug-in required live view: IE9+, Chrome 41 and below, Firefox 52 and below |
| | Plug-in free live view: Chrome 57.0+, Firefox 58.0+, Edge 16+ |
| Interface | |
| Network | 10/100M Base-TX Ethernet |
| Built-in Mic | Supported |
| Certifications | |
| Certifications | CE: EN 60950-1 UL: UL60950-1 FCC: FCC Part 15 |
| General | |
| Power | DC 12V±25%, PoE (IEEE 802.3af) |
| | Power consumption: Max 8.5W |
| Dimensions (L × W × H) | 206 × 74 × 74mm (8.1" × 2.9" × 2.9") |
| Net Weight | 0.55kg (1.2lb) |
| Material | metal |
| Working Environment | -30°C ~ 60°C (-22°F ~ 140°F), Humidity: ≤95% RH (non-condensing) |
| Storage Environment | -30°C ~ 60°C (-22°F ~ 140°F), Humidity: ≤95% RH (non-condensing) |
| Surge Protection | 6KV |
| Ingress Protection | IP67 |
| Reset Button | Supported |

Dimensions



Accessories

IV-JB06-IN



IV-JB05-B-IN



IV-UP06-C-IN

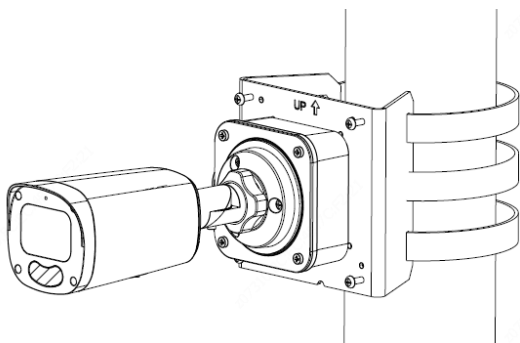


IV-A01-IN



Pole Mount

IV-JB06-IN+ IV-UP06-C-IN



IV-JB05-B-IN+ IV-UP06-C-IN

