

5MP WDR Color-Low-Light Vandal-resistant Network IR Fixed Dome Camera

IV-DF28CLL5MP-UN



Key Features



Optics

- LightHunter
- Day/night functionality
- Smart IR, up to 30m (98ft) IR distance
- Up to 120dB WDR (Wide Dynamic Range)
- 2D/3D DNR (Digital Noise Reduction)

Compression

- Ultra 265, H.265, H.264, MJPEG
- ROI (Region of Interest)
- Customized OSD

Network

- ONVIF Conformance

Structure

- Wide temperature range: -35°C ~ 60°C (-31°F ~ 140°F)
- Wide input voltage range of ±25%
- IK10 vandal resistant
- IP67
- 3-Axis

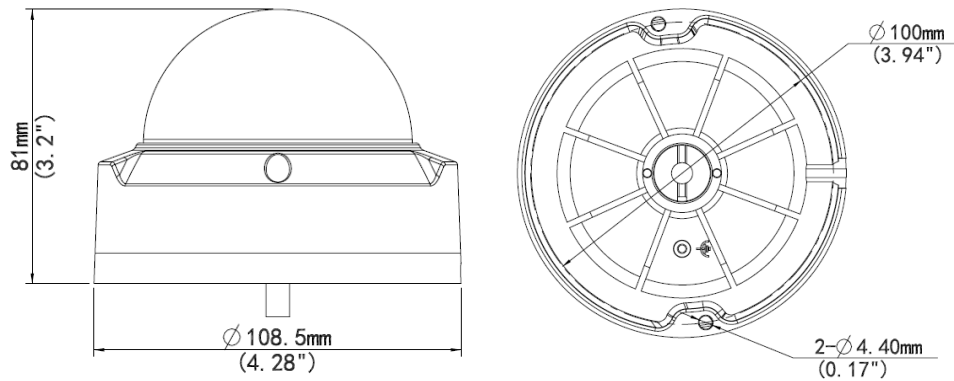
Specifications

| IV-DF28CLL5MP-UN | | | | | |
|----------------------|---|------------|----------------|---------------|-------------------|
| Camera | | | | | |
| Sensor | 1/2.7", 5.0 megapixel, progressive scan, CMOS | | | | |
| Lens | 2.8mm@F1.6 | | | | |
| DORI Distance | Lens (mm) | Detect (m) | Observe (m) | Recognize (m) | Identify (m) |
| | 2.8 | 63 | 25.2 | 12.6 | 6.3 |
| Angle of View (H) | 105.3° | | | | |
| Angle of View (V) | 69.5° | | | | |
| Angle of View (O) | 136.8° | | | | |
| Adjustment angle | Pan: 0° ~ 360° | | Tilt: 0° ~ 75° | | Rotate: 0° ~ 360° |
| Shutter | Auto/Manual, 1 ~ 1/100000s | | | | |
| Minimum Illumination | Colour: 0.005Lux (F1.6, AGC ON) 0Lux with IR | | | | |
| Day/Night | IR-cut filter with auto switch (ICR) | | | | |
| S/N | >55dB | | | | |
| IR Range | Up to 30m (98ft) IR range | | | | |
| wavelength | 850nm | | | | |
| IR On/Off Control | Auto/Manual | | | | |
| Defog | Digital Defog | | | | |
| WDR | 120dB | | | | |
| Video | | | | | |
| Video Compression | Ultra 265, H.265, H.264, MJPEG | | | | |
| H.264 code profile | Baseline profile, Main Profile, High Profile | | | | |
| Frame Rate | Main Stream: 5MP (2592*1944), Max 20fps; 5MP (2592*1944), Max 25fps (WDR OFF); 4MP (2560*1440), Max 30fps; 3MP (2048*1536), Max 30fps; 2MP (1920*1080), Max 30fps; Sub Stream: 2MP (1920*1080), Max 30fps; Third Stream: D1 (720*576), Max 30fps | | | | |
| Video Bit Rate | 128 Kbps~16 Mbps | | | | |
| 9:16 Corridor Mode | Supported | | | | |

| | |
|-------------------------|--|
| OSD | Up to 8 OSDs |
| Privacy Mask | Up to 8 areas |
| ROI | Up to 8 areas |
| Motion Detection | Up to 4 areas |
| Image | |
| White Balance | Auto/Outdoor/Fine Tune/Sodium Lamp/Locked/Auto2 |
| Digital noise reduction | 2D/3D DNR |
| Smart IR | Support |
| Flip | Normal/Vertical/Horizontal/180°/90°Clockwise/90°Anti-clockwise |
| Dewarping | Support |
| HLC | Support |
| BLC | Support |
| Audio | |
| Audio Compression | G.711 |
| Two-way audio | Supported |
| Suppression | Supported |
| Sampling Rate | 8KHZ |
| Storage | |
| Edge Storage | Micro SD, up to 256GB |
| Network Storage | ANR, NAS(NFS) |
| Network | |
| Protocols | IPv4, IGMP, ICMP, ARP, TCP, UDP, DHCP, PPPoE, RTP, RTSP, RTCP, DNS, DDNS, NTP, FTP, UPnP, HTTP, HTTPS, SMTP, 802.1x, SNMP, QoS |
| Compatible Integration | ONVIF (Profile S ,Profile G, Profile T), API |
| Client | EZStation EZView EZLive |
| Web Browser | Plug-in required live view: IE9+, Chrome 41 and below, Firefox 52 and below |
| | Plug-in free live view: Chrome 57.0+, Firefox 58.0+, Edge 16+, Safari 11+ |
| Interface | |
| Audio I/O | 2 Input: impedance 35kΩ; amplitude 2V [p-p] |
| | 1 Output: impedance 600Ω; amplitude 2V [p-p] |
| Alarm I/O | 1/1 |
| Network | 1 RJ45 10M/100M Base-TX Ethernet |
| Certifications | |
| Certifications | CE: EN 60950-1 UL: UL60950-1 FCC: FCC Part 15 |
| General | |
| Power | DC 12V±25%, PoE (IEEE 802.3af) |
| | Power consumption: Max 5W |
| Dimensions (Ø x H) | Φ108.5 x 81mm (Ø4.28" x 3.2") |
| Net Weight | 0.45kg (0.99lb) |
| Material | Metal + Plastic |

| | |
|---------------------|--|
| Working Environment | -35°C ~ 60°C (-31°F ~ 140°F), Humidity: ≤95% RH (non-condensing) |
| Storage Environment | -35°C ~ 60°C (-31°F ~ 140°F), Humidity: ≤95% RH (non-condensing) |
| surge protection | 2KV |
| Ingress Protection | IP67 |
| Vandal Resistant | IK10 |

Dimensions

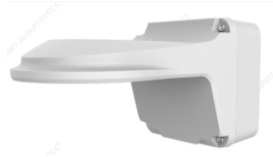


Accessories

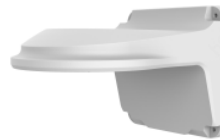
IV-JB03-G-IN



IV-JB07/WM03-G-IN



IV-WM03-D-IN



IV-UM06-E-IN



IV-A01-IN



IV-UP06-IN



IV-SE24-IN

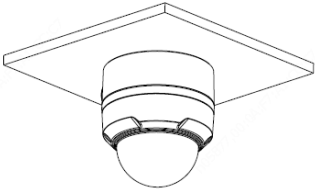
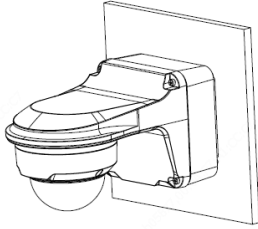
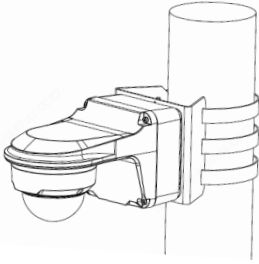
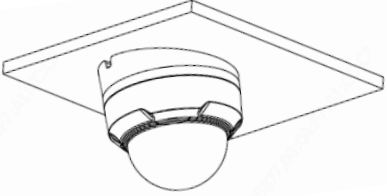
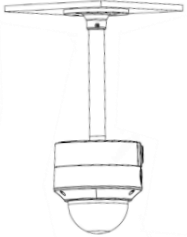


IV-SE24-A-IN



IV-CM24-IN



| Junction box | Wall mount(Junction box) |
|---|--|
| IV-JB03-G-IN+IV-A01-IN | IV-JB07/WM03-G-IN(IV-WM03-D-IN)+IV-A01-IN |
|  |  |
| Pole mount | Tilted mounting |
| IV-JB07/WM03-G-IN(IV-WM03-D-IN)+IV-A01-IN+ IV-UP06-IN | IV-UM06-E-IN |
|  |  |
| Indoor pendent mount | |
| IV-JB04-D-IN+IV-A01-IN+IV-SE24-IN(IV-SE24-A-IN)+ IV-CM24-IN | |
|  | |