



Dual Vision Temperature Detection Thermal Camera

IV-THPTZ42LM

Features:

- . Uncooled IRFPA Microbolometer
- . Temperature detection
- . Effective resolution 396 x 264
- . Sensitivity 50mK
- . 8/15/25/35/50mm lens optional
- . Motorized Lens optional
- . Vision Optical Zoom 30X
- . Infrared detection wavelength 8-14um
- . Supports 8 area temperature Detection, and DVE image Enhance
- . Supports 17 Polarity Control



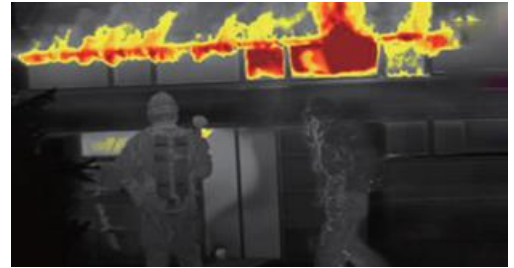
Network Thermal Typical Applications



Public Facilities



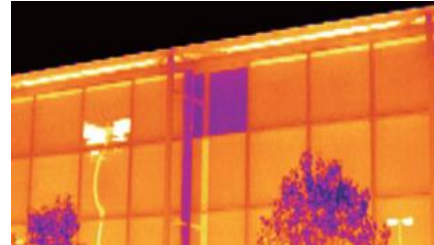
Ocean Affair



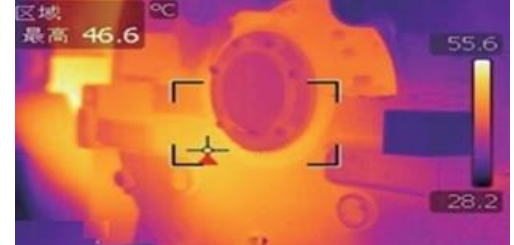
Fire Control



Renewable energy



Building Diagnosis



Manufacturing Industry

Accessories

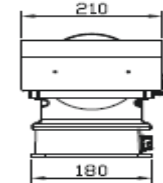
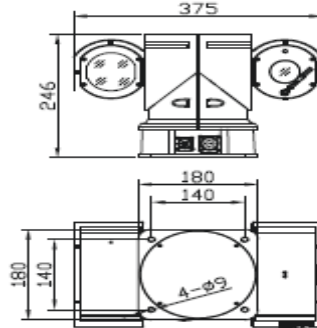


Vehicle Bracket



Wall Mounting Bracket

Dimension



Specification		IV-THPTZ42LM
CAMERA	Detector Type	Long-Life,Uncooled IRFPA Microbolometer
	Effective Resolution	396x264
	Pixel Pitch	20µm
	Sensitivity	50mK
	Spectral Range	8 to 14µm
	Temperature Response	30ms
	Vision Lens	30X Optical Zoom
	Thermal Lens	F1.0,8mm,15mm,25mm,35mm,50mm optional
		Motorized 8mm,25mm,50mm optional
	Focus	Manual/Motorized
	FOV(Fixed Lens)	14.6° x 11° /10.5° x 7.8° /7.3° x 5.5°
	Temperature Detect Distance(Fire)	160m(Lens:8mm) / 300m(Lens:15mm) / 500m(Lens:25mm) / 1000m(Lens:35mm) / 1500(Lens:50mm)
	Fixed Lens Recognition Distance (Body)	100/200/300/450/650m
	Fixed Lens Recognition Distance(Vehicle)	200/350/600/850/1200m
Motorized Lens Recognition Distance(Body)	100/300/650m	
Motorized Lens Recognition Distance (Vehicle)	200/600/1200m	
IMAGE	Video Compression	H.264 High/Main/Baseline Profile, MJPEG
	Bit Rate (CBR/VBR)	500Kb-10Mb
	Audio Compression	G.711 ,RAW_PCM,NONE
	Thermal Resolution	D1/30fps
	Vision Resolution	1080P to QCIF
	Stream	Black-Heat /White-Heat/Rainbow/Iron-Red up to 17 modes
	Image Color Mode	Yes
	DVE Image Enhance	Yes
	3D Noise Reduce	Auto/Manual/External
	Image Correction	Horizontal /Vertical /Horizontal+Vertical
	Image Overturn	H.264 High/Main/Baseline Profile, MJPEG
NETWORK	Network Protocols:	IPv4/v6,RTSP/RTP/RTCP,TCP/UDP,HTTP,DHCP,DNS,FTP,DDNS,PPPOE,SMTP,SIP
	Alarm Trigger	Temperature Alarm,MotionDetection,Networkdisconnect,Diskalarm,I/O alarm
	RTSP Video	Standard RFC2326, Support QuickTime / VLC Player.
	Security	User security authentication, Reset, Hardware WatchDog
	Web Language	English, Chinese
	System Compatibility	Onvif
INTERFACE	Ethernet	1 Ethernet (10/100 Base-T) RJ-45 Connector
	Audio I/O	Optional
	Alarm I/O	Optional
	RS485	Yes
	BNC Output	Yes
	Reset Button	Yes(built-in)
	Edge Storage	Micro SD/SDHC slot ,Max 32GB
GENERAL	Power Supply	DC9-DC36V ,AC24V optional
	Power Consumption	30W(MAX)
	OperatingTemperature	-13°F ~ 131°F / -25°C~+55°C
	Ingress Protection	IP66
	Approvals	CE / FCC
	Product Dimensions	8.27" x 9.69" x 14.76" / 210x246x375mm
	Product Weight	22.05 lbs / 10kg