



Dual Vision Temperature Detection Thermal PTZ Camera

IV-THPTZ42HF

Features:

- . Uncooled IRFPA Microbolometer
- . Temperature detection
- . Effective resolution 396x264
- . Sensitivity 50mK
- . Infrared detection wavelength 8-14um
- . Support 8 area temperature Detection
- . Support 17 Polarity Control
- . Support DVE image Enhance



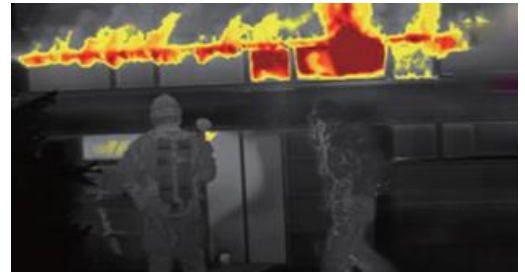
Network Thermal Typical Applications



Public Facilities



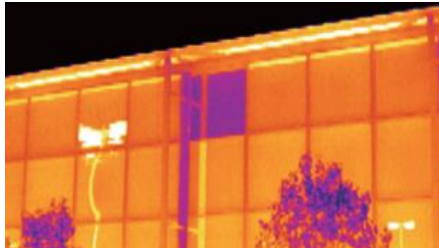
Ocean Affair



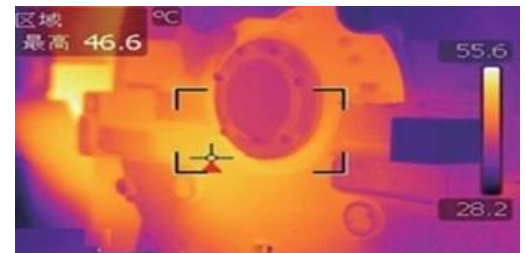
Fire Control



Renewable energy

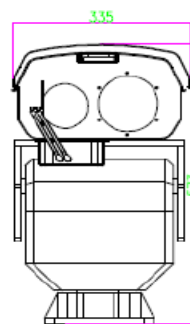
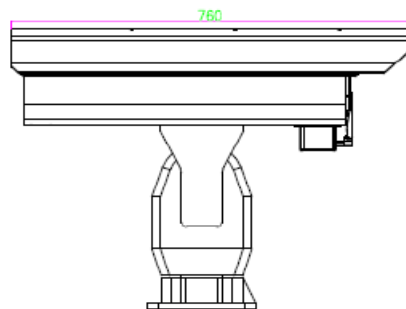


Building Diagnosis



Manufacturing Industry

Dimension:



Specification		IV-THPTZ42HF
CAMERA	Detector Type	Long-Life,Uncooled IRFPA Microbolometer
	Effective Resolution	396x264
	Pixel Pitch	20µm
	Sensitivity	50mK
	Spectral Range	8 to 14µm
	Temperature Response	30ms
	Thermal Motorized Lens	100 mm
	Vision Lens	Optional 32x,10~320mm (C/CS Mount)
	Focus	Motorized
	FOV(Fixed Lens)	3.6°x2.7°
	Temperature Detect Distance(Fire)	2600m
	Motorized Lens Recognition Distance (Body)	1000m
	Motorized Lens Recognition Distance (Vehicle)	2000m
IMAGE	Video Compression	H.264 High/Main/Baseline Profile, MJPEG
	Bit Rate (CBR/VBR)	500Kb-10Mb
	Audio Compression	G.711 ,RAW_PCM,NONE
	Thermal Resolution	D1/30fps
	Stream	D1/CIF
	Image Color Mode	Black-Heat /White-Heat/Rainbow/Iron-Red up to 17 modes
	3D Noise Reduce	Yes
	DVE Image Enhance	Yes
	Image Correction	Auto/Manual/External
	Image Overturn	Horizontal /Vertical /Horizontal+Vertical
NETWORK	Network Protocols	IPv4/v6,RTSP/RTP/RTCP,TCP/UDP,HTTP,DHCP,DNS,FTP,DDNS,PPPOE,SMTP,SIP
	Alarm Trigger	Temperature Alarm,MotionDetection,Networkdisconnect,Diskalarm,I/O alarm
	RTSP Video	Standard RFC2326, Support QuickTime / VLC Player.
	Security	User security authentication, Reset, Hardware WatchDog
	Web Language	English, Chinese
	System Compatibility	Onvif
INTERFACE	Ethernet	1 Ethernet (10/100 Base-T) RJ-45 Connector
	Audio I/O	Optional
	Alarm I/O	Optional
	RS485	Yes
	BNC Output	Yes
	Reset Button	Yes(built-in)
	Edge Storage	Micro SD/SDHC slot ,Max 32GB
GENERAL	Power Supply	AC24V±20%,50/60HZ
	Power Consumption	100W(MAX)
	OperatingTemperature	-13°F ~ 131°F / -25°C~+55°C
	Ingress Protection	IP66
	Approvals	CE / FCC
	Product Dimensions	29.92" x 13.19" x 22.56" / 760x335x573mm
	Product Weight	110.23 lbs / 50kg