

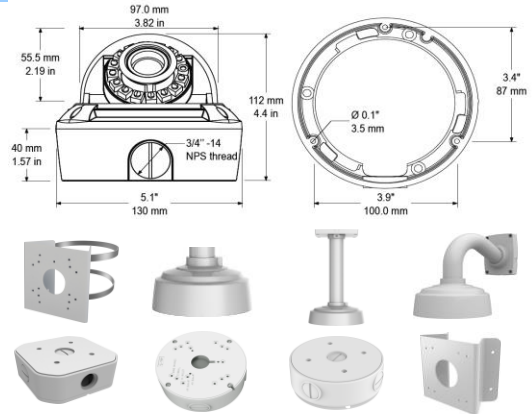


Full Video Analytics: 4MP Vandal Network IR Dome

IV-PDV3124MP-F2

Features:

- 1/3" Progressive Scan CMOS
- VF Lens 3.0-12mm
- Resolution 2688x1512
- Multiple Streams
- Smart IR Range 45-60 ft
- Low bitrate, Excellent low light performance
- 3D DNR,dWDR,ICR
- ROI,Defog,HLC,Corridormode,DIS
- Full Video Analytics



SPECIFICATIONS		IV-PDV3124MP-F2
Camera	Image Sensor	1/3" Progressive Scan CMOS
	Min. illumination	Color 0.05Lux;IR ON 0 Lux
	Day & Night	ICR
	Shutter Speed	1/5-1/20000
	Auto Iris	Yes
	Wide Dynamic Range	dWDR
	Digital Noise Reduction	2D/3D
	Lens	3.0-12mm VF Lens
	FOV	87°~ 35°
	IR LED	12pcs
	IR Range	45-60 ft
Image	Video Compression	H.264 High/Main/Baseline Profile, MJPEG
	Bit Rate (CBR/VBR)	Main stream:500kb-12000kb ;Sub stream 100kb-6000kb
	Audio Compression	G.711 ,RAW_PCM
	Max.Resolution	2688*1512/2560*1440/20fps,2304*1296/25fps,1920*1080/30fps
	Stream	Stream1 2688*1512/2560*1440/2304*1296/1920*1080 / Stream 2720p to QVGA
	Image Setting	Rotate Mode,Saturation,Brightness,Contrast,Sharpness
	HLC	Yes
	9:16 Corridor Mode	Yes
	DIS	Auto
	ROI	Yes
Defog	Yes	
Interface	Ethernet	1 Ethernet (10/100 Base-T) RJ-45 Connector
	Audio I/O	1ch Audio In,1ch Audio Out
	Alarm I/O	1ch Alarm In,1ch Alarm Out
	RS485	N/A
	BNC Output	Yes
	Reset Button	Yes
	Edge Storage	Micro SD/SDHC/SDXC slot ,Max 64GB
	Network	Network Protocol
Alarm Trigger: Full Video Analytics		Base:MotionDetection,LineCrossing,Tamper, Area Intrusion, Network disconnect,Diskalarm,I/O alarm Advance: Motion Detection,LineCrossing,Tamper, Area Intrusion, Camera Move,Dwell,MultipleDwell,RetrogradeDetection,ObjectLeft,ObjectRemove,Abnormal Speed,Illegal Parking,Networkdisconnect,Diskalarm,I/O alarm
RTSP Video		Standard RFC2326, Support QuickTime / VLC Player.
Security		User security authentication, Reset, Hardware WatchDog
Web Language		English, Chinese,Polish, Italian, Portuguese, Spanish.(Sunell Brand)
System Compatibility		Onvif,CGI
General	Power Supply	AC24V/DC12V/POE
	Power Consumption	3W(IR LED OFF) : 5W (IR LED ON)
	Working Environment	Starting Temperature: -30 °C~ 60 °C (-22 °F ~ 140 °F) Working Temperature:-40 °C ~ 60 °C (-40 °F ~ 140 °F)
	Operating Humidity	0% - 90% RH
	Ingress Protection	IP66
	Approvals	CE / FCC
	Dimensions	φ5.12" x 4.41" (130x112mm)
	Weight	1.98 lbs (900g)