

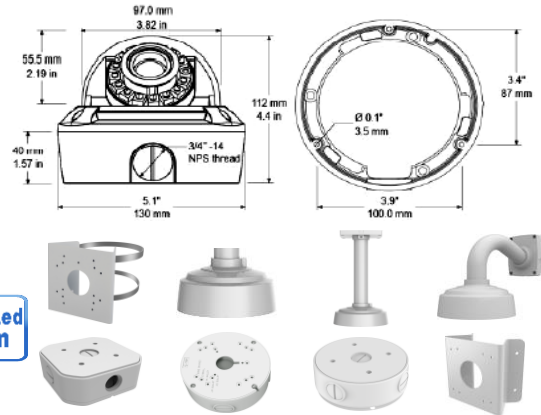


Simple Video Analytics: 4MP Motorized Vandal, IR

IV-PDMV28124MP-S2

Features:

- . 1/3" Progressive Scan CMOS
- . Motorized Lens 2.8-12mm
- . 4MP@20fps,3MP@30fps,1080P@30fps
- . Triple Streams
- . Smart IR Range 45-60 ft
- . Low bitrate ,Excellent low light performance
- . WDR,3D DNR
- . ROI,Defog,HLC,Corridor mode,DIS
- . Simple Video Analytics



SPECIFICATIONS		IV-PDMV28124MP-S2
Camera	Image Sensor	1/3" Progressive Scan CMOS
	Min. illumination	Color 0.01Lux;IR ON 0 Lux
	Day & Night	ICR
	Shutter Speed	1/5-1/20000
	Auto Iris	Yes
	Wide Dynamic Range	WDR>120dB
	Digital Noise Reduction	2D/3D
	Lens	Motorized Lens 2.8-12mm
	FOV	89°~ 35°
	IR LED	15pcs
IR Range	45-60 ft	
Image	Video Compression	H.264/265, MJPEG
	Bit Rate (CBR/VBR)	Main stream:500kb-12000kb ;Sub stream 100kb-6000kb
	Audio Compression	G.711, RAW_PCM
	Max.Resolution	2592*1520/2560*1440/20fps,2304*1296/30fps,1920x1080/30fps
	Stream	Stream1 2592*1520/2560*1440/2304*1296/1920x1080; Stream 2 D1 to QVGA
	Image Setting	Rotate Mode,Saturation,Brightness,Contrast,Sharpness
	HLC	Yes
	9:16 Corridor Mode	Yes
	DIS	Auto
	ROI	Yes
Defog	Yes	
Interface	Ethernet	1 Ethernet (10/100 Base-T) RJ-45 Connector
	Audio I/O	1ch Audio In,1ch Audio Out
	Alarm I/O	1ch Alarm In,1ch Alarm Out
	RS485	Optional
	BNC Output	Yes
	Reset Button	Yes
	Edge Storage	Micro SD/SDHC/SDXC slot ,Max 128GB
Network	Network Protocol	HTTP,HTTPS, TCP/IP, UDP/IP, RTSP, DHCP, NTP, PPPoE, Unicast and Multicast supported.
	Alarm Trigger	Motion Detection, Network disconnect,Disk alarm,I/O alarm
	RTSP Video	Standard RFC2326, Support QuickTime / VLC Player.
	Security	User security authentication, Reset, Hardware WatchDog
	Web Language	English, Chinese,Polish, Italian, Portuguese, Spanish.(Sunell Brand)
	System Compatibility	Onvif,CGI
General	Power Supply	DC12V/POE(AC24V Optional)
	Power Consumption	3W(IR LED OFF) : 5W (IR LED ON)
	Working Environment	Starting Temperature: -30 °C ~ 60 °C (-22 °F ~ 140 °F) Working Temperature:-40 °C ~ 60 °C (-40 °F ~ 140 °F)
	Operating Humidity	0% - 90% RH
	Ingress Protection	IP66
	Approvals	CE / FCC
	Dimensions	φ5.12" x 4.41" (130×112mm)
	Weight	1.98 lbs (900g)