

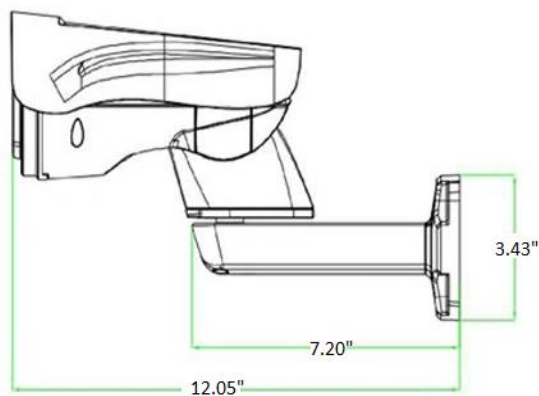
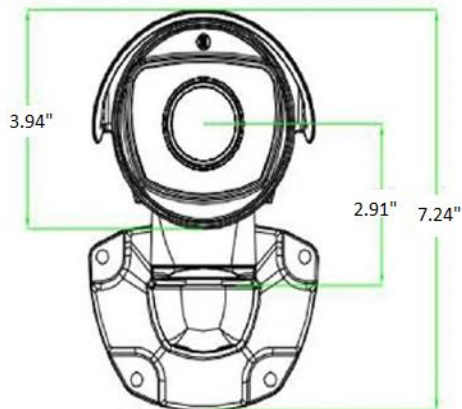


5MP 10X IR PTZ Bullet Camera

IV-IPPTZBU5MP-10X

Features:

- . 1/3" 5MP CMOS, 2592 x 1944
- . 0.01 Lux
- . Varifocal lens 5.1mm~51mm /10X optical zoom
- . A-B scan, tour available
- . ONVIF2.4;Support P2P function
- . IR distance up to 300ft
- . DC12V/PoE, IP66
- . Support H.264/MJPEG compression, triple stream, video output



Specification	IV-IPPTZBU5MP-10X
Sensor	1/3" 5MP CMOS OV4689
Minimum Illumination	0.01 Lux
Lens	10X optical zoom/varifocal lens 5.1mm~51mm
Auto Focus	Support
LEDs	Array 42Mil 4pcs+2 laser Leds
D/N	IR-CUT
BLC	Auto
WB	Auto
S/N Ratio	>50dB
Communications Protocol	TCP/IP,HTTP, NTP,IGMP, DHCP,UDP,SMTP,RTP,RTSP,ARP,DDNS,DNS,PPPoE,P2P,
Software Control	IE, CMS, Management Platform
Video Compression	H.264/M-JPEG
Audio Compression	G711,PCM
Mobile View (optional)	Android iPhone
Pan Range	0°-220°
Tilt Range	-45°~40°
Pan Speed	0-30°/s
Tilt Speed	0-25°/s
Preset Points	220
Guard Tours	3 groups (each group 16 preset.dwell time and speed selectable)
Guard Points	Max.16 points, dwell time user selectable
AB Scan Range	any point in range:-45°~40° and 0°-220°
AB Scan Speed	1-9 grades
Operation Menu	English
Auto Control IR LED	PWM
Support Ambient Light Detection	IR illumination on 1-15 grades selectable
IR Distance	up to 300ft (100 meters)
Operating Temperature	Outdoor: -40°F ~ 140°F (-40° ~ +60°C)
Humidity	≤95% Non Condensing
Power Supply	DC12V/PoE
Consumption	≤15W
Lightning Protection	Transient voltage 6000V
Ingress Protection	IP66
Weight	NW: 2.91 lbs (1.32KG) GW: 3.68 lbs (1.67KG)