



1080P HD-Analog 4-in-1 Mini PTZ Dome

IV-HDPTZ28122-FH

Features:

- 1/2.9" Low illumination CMOS
- Support HD-TVI /AHD/CVI/CVBS video output
- 2.0 MP, 1920 x 1080P/F1.2
- Varifocal Lens 2.8~12mm, 4X optical zoom
- Max 25°/s pan speed and max 20°/s tilt speed
- Color: 0.2 Lux/F1.2; B/W: 0.01 Lux/F1.2
- Up to 16 presets, 1 patrol, 1 pattern
- Day / Night, D-WDR, BLC, 3D-DNR, Gain control, white balance
- Support UTC control, video transmission up to 500 meters
- 355° pan range and 0° ~ 90° tilt range
- Support AB Scan, Onvif Protocol
- 1 pc Array LED, IR distance up to 60ft; IR-CUT technology, automatic switching when the light is low
- Support Proportional zoom function, rotation speed can be adjusted automatically according to zoom multiple
- IP66, DC12V



Intelligent Zoom



20M IR distance



PTZ control



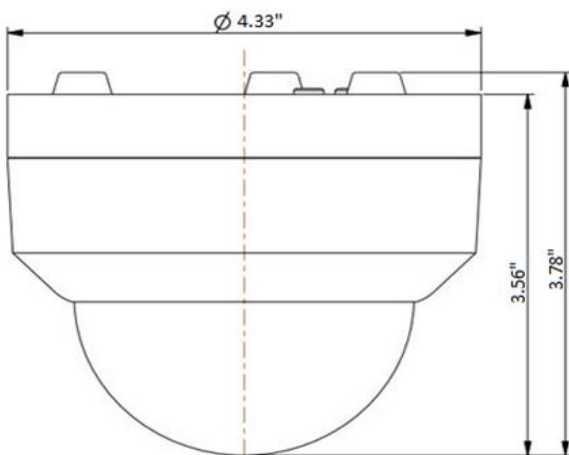
16 preset



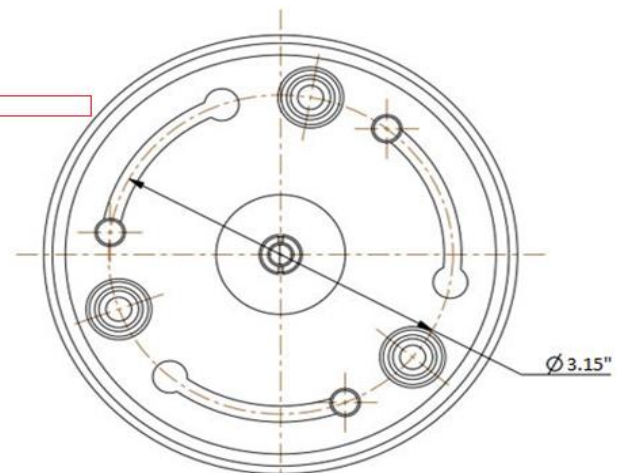
355° pan range and 0° ~ 90° tilt range



1pc Array LED: make the night is clear as daytime



Product Dimension



Screw-In Plate for Easy Installation

| Specification | IV-HDPTZ28122-FH |
|--------------------------------|---|
| Image Sensor | 1/2.9" Low illumination CMOS |
| Effective Resolution | 2.0 MP 1920 X 1080 |
| Min. Illumination | Color: 0.2Lux@F1.2 ; B/W: 0.01Lux@F1.2 |
| S/N Ration | ≥41dB |
| Electronic shutter Speed | 1/30 ~ 1/10000S |
| Wide Dynamic Range | d-WDR |
| Digital Noise Reduction | 2D/3D digital |
| Focus mode | Auto / Manual |
| Day/Night | ICR |
| Lens | 2.8 mm ~ 12mm lens, 4X optical zoom |
| Angle View | 28° ~ 91° |
| IR LED / IR Range | 1pc Array LED / up to 60ft (20m) |
| Pan Range and Speed | Pan 355°endless rotate, speed 0 ~ 25°/S |
| Tilt Range and Speed | 0° ~ 90°, speed 0 ~ 20°/S |
| Preset | 16 |
| Patrol | 1 |
| Pattern | 1 |
| AB scan | Support |
| Idle Motion | Support, can select preset, patrol, pattern, A.B scan |
| White Balance | Auto / Manual |
| Exposure Mode | Auto / Manual |
| BLC | Supported |
| Gain Control | Supported |
| Digital Zoom | No |
| Edge Illumination Compensation | Supported |
| Video Output | AHD /TVI/CVI/CVBS |
| Video Port | BNC port |
| Power Supply | DC 12V/1A |
| Power Consumption | 10W (max) |
| Operating Temperature | -4°F~140°F (-20°C ~ +60°C) |
| Operating Humidity | ≤90%RH |
| Ingress Protection | IP66 |