



# 1080P Vandal-Proof HD-Analog 4-in-1 Dome Camera

IV-HD28122MP-FH-4X

## Features:

- 1/2.9" Low illumination CMOS
- Support HD-TVI /AHD/CVI/CVBS video output
- 2.0 MP, 1920 x 1080P/F1.2
- Varifocal Lens 2.8~12mm, 4X optical zoom
- Color: 0.2 Lux/F1.2; B/W: 0.01 Lux/F1.2
- Extend ability of pan/ tilt
- Support AB Scan, Onvif Protocol
- Day / Night, D-WDR, BLC, 3D-DNR, Gain control, white balance
- Support UTC control, video transmission up to 500 meters
- 1 pc Array LED, IR distance up to 98ft; IR-CUT technology, automatic switching when the light is low
- Support Proportional zoom function, rotation speed can be adjusted automatically according to zoom multiple
- IP66, DC12V



Intelligent Zoom



98ft IR distance



PTZ control



16 preset



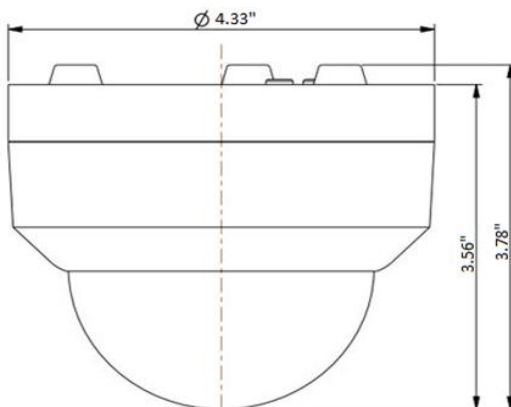
4x proportional zoom function



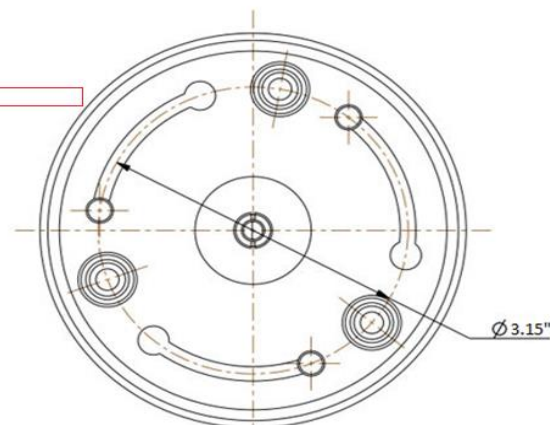
High sensitivity photo resistor

High-power infrared light

1pc Array LED: make the night is clear as daytime



Product Dimension



Screw-In Plate for Easy Installation

Specification	IV-HD28122MP-FH-4X
Image Sensor	1/2.9" Low illumination CMOS
Effective Resolution	2.0 MP 1920 X 1080
Min. Illumination	Color: 0.2Lux@F1.2 ; B/W: 0.01Lux@F1.2
S/N Ration	≥41dB
Electronic shutter Speed	1/30 ~ 1/10000S
Wide Dynamic Range	d-WDR
Digital Noise Reduction	2D/3D digital
Focus mode	Auto / Manual
Day/Night	ICR
Lens	2.8 mm ~ 12mm lens, 4X optical zoom
Angle View	28° ~ 91°
IR LED / IR Range	1pc Array LED / up to 98ft (30m)
Pan Range and Speed	Pan 355°endless rotate, speed 0 ~ 25°/S
Tilt Range and Speed	0° ~ 90°, speed 0 ~ 20°/S
AB scan	Support
Idle Motion	Support, can select preset, patrol, pattern, A.B scan
White Balance	Auto / Manual
Exposure Mode	Auto / Manual
BLC	Supported
Gain Control	Supported
Digital Zoom	No
Edge Illumination Compensation	Supported
Video Output	AHD /TVI/CVI/CVBS
Video Port	BNC port
Power Supply	DC 12V/1A
Power Consumption	10W (max)
Operating Temperature	-4°F~140°F (-20°C ~ +60°C)
Operating Humidity	≤90%RH
Ingress Protection	IP66