

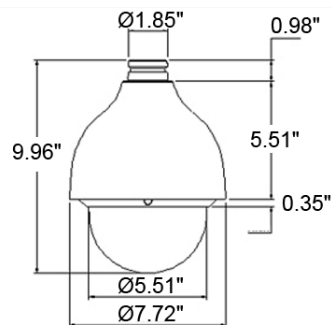


HD-CVI 1080P 20X Ultra-High Speed Camera

IV-PTZ20X-CVI

Features:

- . 2MP, 1920 x 1080 Resolution
- . 20x optical zoom
- . Max 20/30 fps@1080P, 50/60fps @720P resolution
- . Focal lens 4.7mm ~ 94mm
- . DWDR, Day/Night(ICR), Ultra DNR, Auto Iris, Auto focus
- . Max 500°/s pan speed, 360° endless pan rotation
- . Support intelligent 3D positioning with DH-SD protocol
- . Up to 300 presets, 5 auto scan, 8 tour, 5 pattern
- . HD and SD switchable
- . Built-in 2/1 alarm in/out
- . IP67 weatherproof, OSD
- . IK10 vandalproof



Specification	IV-PTZ20X-CVI
Image Sensor	1/2.8" Exmor CMOS
Effective Pixels	1920(H) x 1080(V)
Electronic Shutter	1/1 ~ 1/30,000s
Horizontal Resolution	1000TVL
Scanning System	Progressive
Min. Illumination	Color: 0.05Lux @ F1.4; B/W: 0.005Lux @ F1.4
S/N Ratio	More than 50dB
Resolution	25/30fps @1080P, 25/30/50/60fps @720P
Video Output	1-channel BNC HDCVI high definition video output/ CVBS standard definition video output (Can switch)
Backlight Compensation	BLC / HLC / DWDR (Digital WDR)
Day/Night	Auto(ICR) / Color / B/W
Gina Control	Auto / Manual
White Balance	Auto, ATW, Indoor, Outdoor, Manual
Digital Zoom	16x
Noise Reduction	2D/3D
Privacy Masking	Up to 24 areas
Angle of View	H:54.1° ~ 3.2°
Close Focus Distance	100mm~1000mm
Focus Control	Auto/Manual
Lens Focal Length	4.7mm~94mm (20x Optical zoom)
Max Aperture	F1.4~F2.6
Audio Interface	1 channel In
Auxiliary Interface - Alarm	2/1 channel In/Out
Auxiliary Interface - RS485	1
Idle Motion	Activate Preset/Scan/Tour/Pattern if there is no command in the specified period
Manual Control Speed	Pan: 0.1°~350°/s; Tilt: 0.1°~250°/s
Pan/Tilt Range	Pan: 0°~360° endless; Tilt: -10°~90°, auto flip 180°
Power up Action	Auto restore to previous PTZ and lens status after power failure
Preset Speed	Pan: 500°/s; tilt: 500°/s
Protocol	DH-SD, Pelco-P/D (Auto recognition)
PTZ Mode	5 Pattern, 8 Tour, Auto Pan, Auto Scan
Speed Setup	Human-oriented focal length/speed adaptation
Power Supply	AC24V/1.5A
Power Consumption	10W, 19W (Heater on)
Ingress Protection	IP67, IK10
Working Environment	-40°F~+158°F / Less than 90%RH
Dimensions	Φ7.32" x 9.96"
Weight	6 lbs.