

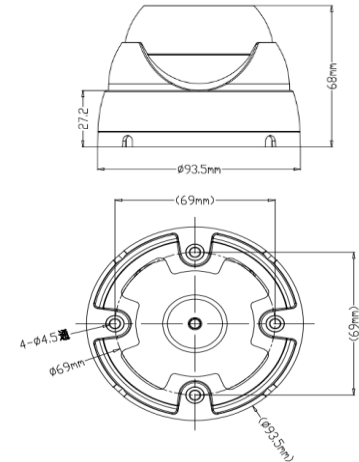


4MP 4 in 1 Mini Vandal Proof Eyeball Camera

IV-DEF364MP-FH

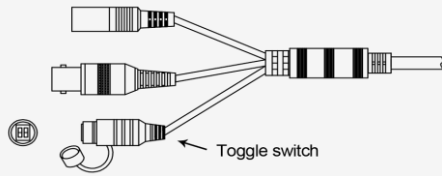
Features:

- . 4.0MP 4-in-1 camera (HD-TVI/AHD/CVT/CVBS)
- . 4.0MP AHD/TVI/CVI /Analog video output
- . Fixed lens 3.6mm
- . 0.1Lux @ F1.2, 0 Lux IR LED on
- . Support ICR switch, 2D-DNR, Day/Nigh, D-WDR
- . 12pcs IR LED, IR distance up to 66ft
- . DC12V, IP66



Use the OSD joystick to switch among the four video output modes:

Select your video protocol by switching the positions of the toggle switches per the below diagram. The toggle switches are located at the end of the camera cable



SPECIFICATION	IV-DEF364MP-FH
Horizontal Resolution	4MP @ TVI / AHD / CVI / CVBS
Image Sensor	1/2.5" CMOS
Signal System	NTSC / PAL
Effective Pixels	2592 x 1520
Min. Illumination	Color: 0.1Lux@(F1.2, AGC ON) 0 Lux LED on; B&W: 0.01Lux@(F1.2, AGC ON)
Synchronization	Internal synchronization
Video Output	TVI /AHD/CVI (4MP@25fps, 3MP/1080P@30fps); Analog (1280x576, 1280x480)
S/N Ratio	50dB(AGC OFF)
UTC	Support
NR	2D DNR
Shutter	Auto
Day&Night	Smart / Color / B&W
White Balance	Auto / Manual
OSD	English / Chinese / Spanish / Italian/Traditional Chinese
AGC	Auto
IR LED	12pcs IR LEDs
Lens	3.6mm
IR Range	66ft (20m)
Power Supply	DC12V±10%
Power Consumption	Max. 1.8W (Max. 3W with IR cut filter on)
Weight	1.08lbs (490g)
IP Rating	IP66
Working Temperature/Humidity	-4°F ~ 122°F (-20°C ~ 50°C)
Working Humidity	Humidity 90% or less (non-condensing)