

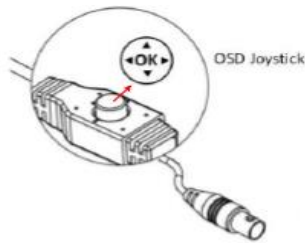
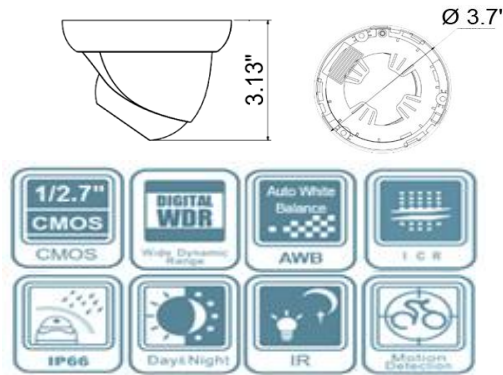


## 4 in 1 1080P Vandal-Proof IR Eyeball Camera

### IV-DEF288S-F-H-II

#### Features:

- . 1/2.7" Progressive Sensor
- . 1080P @ TVI/CVI/AHD/CVBS
- . 30fps@1080P
- . 0 Lux (IR on)
- . Day/Night (ICR), AWB, AGC, BLC, DNR
- . 2.8mm fixed lens
- . Max. IR LEDs length 60 feet, Smart IR
- . IP66, DC12V



#### Use the OSD joystick to switch among the four video output modes:

- \* Push the joystick "UP" button key over 5 seconds to CVI mode
- \* Push the joystick "DOWN" button key over 5 seconds to TVI mode
- \* Push the joystick "LEFT" button key over 5 seconds to CVBS (Analog 960H) mode
- \* Push the joystick "RIGHT" button key over 5 seconds to AHD mode
- \*\* Each Boot up allows one video mode selection.

if you need to switch to another mode, you will need to reboot again.

SPECIFICATION	IV-DEF288S-F-H-II
<b>Camera</b>	
Image Sensor	1/2.7" Progressive Sensor
Effective Pixels	1920 (H) × 1080 (V)
Electronic Shutter	1/60s~1/100,000s
Video Frame Rate	30fps @ 1080P
S/N Ratio	More than 52 dB
OSD	Yes
Synchronization	Internal
Min. Illumination	0.01Lux@F1.2 (AGC ON), 0 Lux IR on
Video Output	TVI / CVI / AHD / CVBS
<b>Camera Features</b>	
Max. IR LEDs Length	60 ft / 20m, Smart IR 6pcs
Day/Night	EXT / Auto(ICR) / Color / B/W
<b>Lens</b>	
Focal Length	2.8mm
Angle of View	H: 80.6°(57.55°)
<b>General</b>	
Connector Video	BNC
Power Supply	DC12V±10%
Power Consumption	Max 2.5W
Working Environment	-4 °F ~ 122 °F / Less than 95%RH (no condensation)
Transmission Distance	Over 1050 feet distance via Coaxial cables (RG59 75-3 Full Cooper)
Ingress Protection	IP66
Dimensions	Φ 3.7" x 3.13" / Φ94.0mm×79.5mm
Weight	0.77 lbs / 0.35kg
Material	Metal